

759PLF Press Brass Ball Valve

Specification Sheet

FEATURES & BENEFITS

- Lead Free Forged Brass
- 250 PSI (CWP)
- Max Temp. Rating: 250°F
- Full Port
- One O-Ring
- Blow Out Proof Stem
- Leak Prior to Press
- Press Conforms to IAPMO PS117
- cUPC, NSF/ANSI 61 & NSF/ANSI 372 Approved
- Sizes 1/2" - 4"

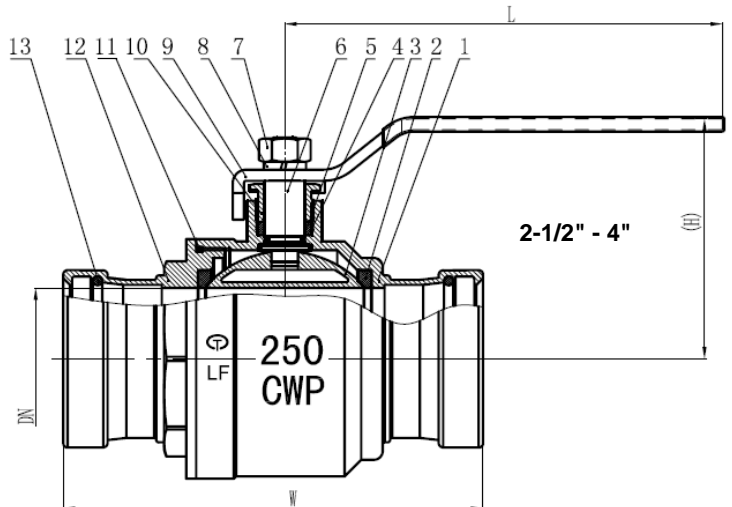
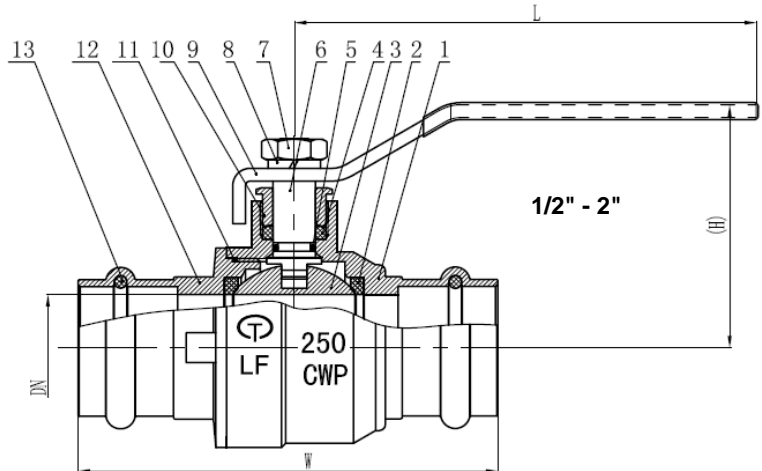


DIMENSIONS

Part #	Size	DN	W	L	H
759P03LF	1/2"	0.59	3.19	3.47	1.81
759P04LF	3/4"	0.75	3.61	4.29	2.10
759P05LF	1"	0.99	3.92	4.29	2.25
759P06LF	1-1/4"	1.26	4.41	5.63	2.53
759P07LF	1-1/2"	1.58	5.36	5.63	2.75
759P08LF	2"	1.94	6.50	6.11	3.04
759P09LF	2-1/2"	2.52	7.47	7.68	4.26
759P10LF	3"	2.90	8.18	8.20	4.59
759P11LF	4"	3.84	9.89	9.06	5.50

MATERIAL SPECIFICATIONS

No.	Part	Material
1	Body	Lead Free Brass
2	Seat	PTFE
3	Ball	Stainless Steel
4	Packing	PTFE
5	O-Ring	NBR
6	Stem	Brass 1/2" - 2" Stainless Steel 2-1/2" - 4"
7	Handle Nut	Plated Steel
8	Lock Washer	Plated Steel
9	Handle	Plated Steel
10	Packing Nut	Brass
11	O-Ring	NBR
12	Cap	Lead Free Brass
13	O-Ring	EPDM



759PDLF Press Brass Ball Valve With Waste Drain

Specification Sheet

FEATURES & BENEFITS

- Lead Free Forged Brass
- 250 PSI (CWP)
- Max Temp. Rating: 250°F
- Full Port
- One O-Ring
- Blow Out Proof Stem
- Leak Prior to Press
- Press Conforms to IAPMO PS117
- cUPC, NSF61 & NSF372 Approved
- Conforms to IAPMO Z1157 & NSF14
- Sizes 1/2" - 1"



DIMENSIONS

Part #	Size	DN	W	L	H
759PD03LF	1/2"	0.59	3.35	3.47	1.81
759PD04LF	3/4"	0.75	3.76	4.29	2.10
759PD05LF	1"	0.99	4.08	4.29	2.25

MATERIAL SPECIFICATIONS

No.	Part	Material
1	Body	Lead Free Brass
2	Seat	PTFE
3	Ball	Stainless Steel
4	Packing	PTFE
5	O-Ring	NBR
6	Stem	Brass 1/2" - 2"
7	Lock Nut	Iron / Zinc Plated
8	Lock Washer	Iron / Zinc Plated
9	Handle	Iron / Chrome Plated
10	Packing Nut	Brass
11	O-Ring	NBR
12	Cap	Lead Free Brass
13	O-Ring	EPDM
14	Screw	Brass
15	Gasket	EPDM

